

Customer Information Sheet

DRAWING No.: M80-400000FI-XX-XXX-00-000

SHEET 4 OF 6

IF IN DOUBT - ASK

(C)

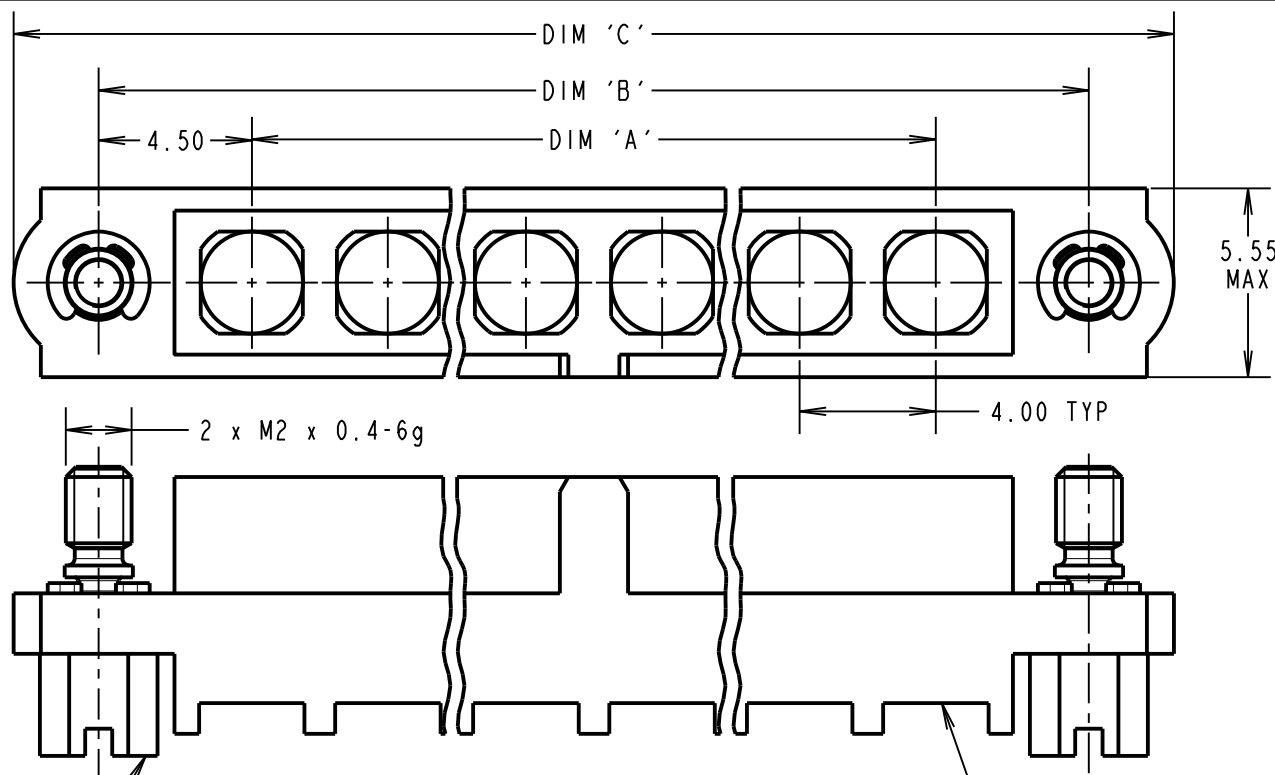
NOT TO SCALE

THIRD ANGLE PROJECTION

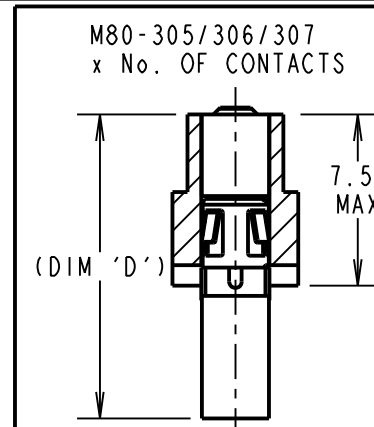
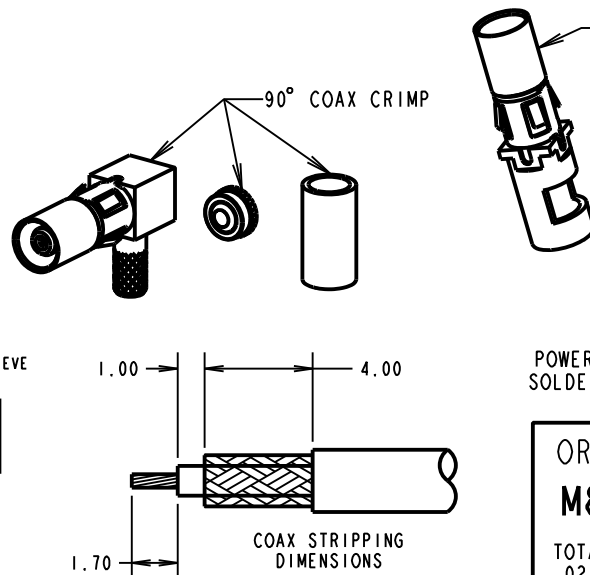
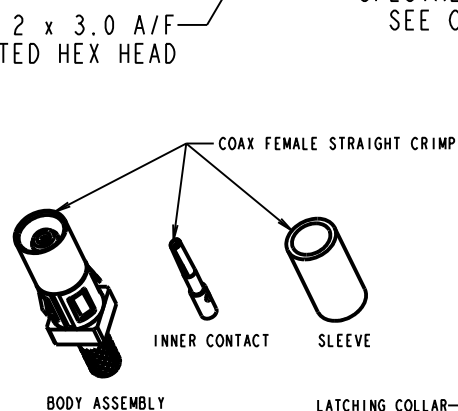
ALL DIMENSIONS IN mm

SPECIFICATIONS:

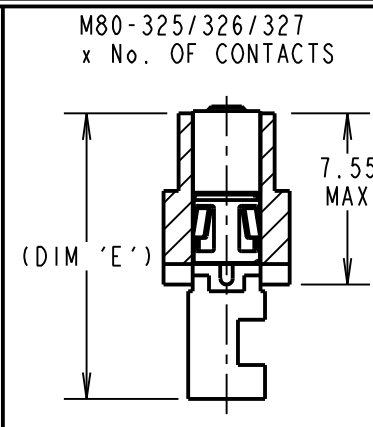
MATERIAL:
 MOULDING: GLASS FILLED PPS, UL94V-0, BLACK
POWER & COAX CONTACT:
 BODY = COPPER ALLOY
 INNER CONTACT, LATCHING COLLAR = BERYLLIUM COPPER
 INSULATOR = PTFE
 JACKSCREW, CIRCLIP: STAINLESS STEEL
FINISH:
 POWER & COAX CONTACT
 BODY, SLEEVE, INNER CONTACT = GOLD
 LATCHING COLLAR: = NICKEL
ELECTRICAL:
 WORKING VOLTAGE = 120V AC/DC
 VOLTAGE PROOF = 360V AC/DC
 INSULATION RESISTANCE = 100MΩ MIN
POWER CONTACT:
 CONTACT RESISTANCE = 6mΩ MAX
 CURRENT RATING = M80-325 20A MAX 12AWG,
 M80-326 15A MAX 14AWG, M80-327 10A MAX 16AWG,
 M80-328 8A MAX 18AWG, M80-329 5A MAX 20AWG,
 M80-32A 20A MAX 12AWG, M80-32B 15A MAX 14AWG,
 M80-32C 10A MAX 16AWG, CONTACT AS SPECIFIED
COAX CONTACT:
 FREQUENCY RANGE = 6GHz
 IMPEDANCE = 50 Ω
 V.S.W.R = 1.05 + (0.04 x FREQUENCY) GHz MAX
 CONTACT RESISTANCE 6 mΩ MAX
 INSULATION RESISTANCE = 10⁶MΩ @250V AC
 OPERATING VOLTAGE = 180V AC @ 500mA
 MAXIMUM VOLTAGE = 1000V AC
MECHANICAL:
 DURABILITY = 500 OPERATIONS
POWER & COAX CONTACT:
 INSERTION FORCE = 5N MAX
 WITHDRAWAL FORCE = 0.5N MIN
ENVIRONMENTAL:
 TEMPERATURE RANGE = -55°C TO +125°C
PACKING:
 BAG
 FOR COMPLETE SPECIFICATION SEE COMPONENT SPECIFICATION C005XX (LATEST ISSUE)



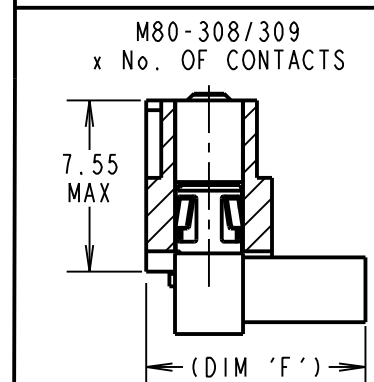
SPECIAL CONTACTS HIDDEN FOR ILLUSTRATION ONLY
 SEE ORDER CODE FOR PART No. TO BE ASSEMBLED



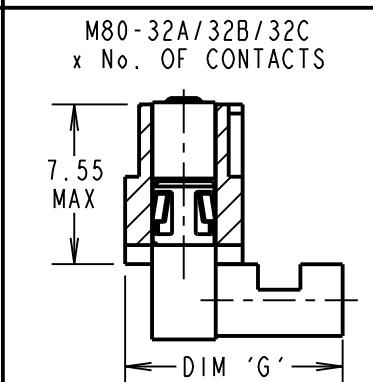
ALL COAX CONTACTS ONLY



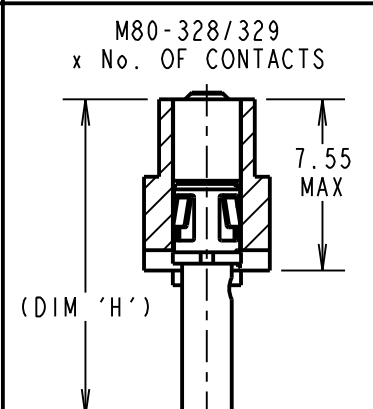
ALL POWER CONTACTS ONLY



ALL 90° COAX CONTACTS ONLY



ALL 90° POWER CONTACTS ONLY



ALL POWER CONTACTS ONLY

CRIMP/SOLDER CONTACTS ONLY

DIMENSION	CALCULATION
DIM 'A'	4 x No. OF CONTACTS - 4.00
DIM 'B'	4 x No. OF CONTACTS + 5.00
DIM 'C'	4 x No. OF CONTACTS + 10.00
DIM 'D'	M80-305/306/307 = 13.4mm
DIM 'E'	M80-325/326/327 = 12.7mm
DIM 'F'	M80-308/309 = 9.7mm
DIM 'G'	M80-32A/32B/32C = 10.3mm
DIM 'H'	M80-328/329 = 13.95mm

NOTES:

- CONNECTORS ARE SUPPLIED WITH CONTACTS LOOSE.
- COAX CONTACT IS SUPPLIED AS A KIT OF PARTS: BODY, INSULATOR AND LATCHING COLLAR ARE PRE-ASSEMBLED AND SLEEVE AND INNER CONTACT ARE SEPARATE.
- FOR EXTRA COAX CONTACTS, USE PART NUMBER M80-305/306/307/308/309 FOR EXTRA POWER CONTACTS, USE PART NUMBER M80-325/326/327/328/329/32A/32B/32C.
- RECOMMENDED HAND CRIMP TOOL FOR COAX INNER CONTACT = Z80-292 WITH POSITIONER Z80-291 AND RECOMMENDED HAND CRIMP TOOL AND DIE SET FOR COAX SLEEVE = Z80-293.
- POWER AND COAX CONTACT EXTRACTION TOOL = Z80-290
- POWER CONTACT WIRE, STRIP BY 5.00mm MINIMUM
- INSTRUCTION SHEETS ARE AVAILABLE.
- FOR EXAMPLE OF ALL COAX SPECIAL CONTACTS ORDER CODE SEE EXAMPLE 1 IN TABLE
- FOR EXAMPLE OF ALL POWER SPECIAL CONTACTS ORDER CODE SEE EXAMPLE 2 IN TABLE.

ORDER CODE: (CRIMP/SOLDER)
M80-400000FI-XX-XXX-00-000

TOTAL No. OF CONTACTS _____
 02 TO 12

- SPECIAL CONTACTS _____
- 305 = COAX CONTACT CRIMP 2.0mm M80-305
 - 306 = COAX CONTACT CRIMP 2.4mm M80-306
 - 307 = COAX CONTACT CRIMP 2.7mm M80-307
 - 308 = 90° COAX CONTACT CRIMP 2.0mm M80-308
 - 309 = 90° COAX CONTACT CRIMP 2.7mm M80-309
 - 325 = POWER CONTACT SOLDER 12AWG M80-325
 - 326 = POWER CONTACT SOLDER 14AWG M80-326
 - 327 = POWER CONTACT SOLDER 16AWG M80-327
 - 328 = POWER CONTACT SOLDER OR CRIMP 18AWG M80-328
 - 329 = POWER CONTACT SOLDER OR CRIMP 20AWG M80-329
 - 32A = 90° POWER CONTACT SOLDER 12AWG M80-32A
 - 32B = 90° POWER CONTACT SOLDER 14AWG M80-32B
 - 32C = 90° POWER CONTACT SOLDER 16AWG M80-32C

EXAMPLE 1: CONNNECTOR WITH 08 COAX CONTACTS,
 M80-400000FI-08-305-00-000
 DIM 'A' = 28.00mm, DIM 'B' = 37.00mm,
 DIM 'C' = 42.00mm, DIM 'D' = 13.4mm

EXAMPLE 2: CONNECTOR WITH 10 POWER CONTACTS,
 M80-400000FI-10-325-00-000
 DIM 'A' = 36.00mm, DIM 'B' = 45.00mm,
 DIM 'C' = 50.00mm, DIM 'E' = 12.7mm

HARWIN

HARWIN USA
 TEL: 603 893 5376
 FAX: 603 893 5396
 mis@harwin.com

HARWIN Europe (UK)
 TEL: 023 9231 4545
 FAX: 023 9231 4590
 mis@harwin.co.uk

HARWIN Asia
 TEL: +65 6 779 4909
 FAX: +65 6 779 3868
 mis@harwin.com.sg

THIS DRAWING AND ANY INFORMATION OR DESCRIPTIVE MATTER SET OUT HEREON ARE CONFIDENTIAL AND COPYRIGHT PROPERTY OF THE HARWIN GROUP AND MUST NOT BE DISCLOSED, LOANED, COPIED OR USED FOR MANUFACTURING, TENDERING OR FOR ANY OTHER PURPOSE WITHOUT THEIR WRITTEN PERMISSION.

TOLERANCES
 X. = ±1mm
 X.X = ±0.25mm
 X.XX = ±0.10mm
 X.XXX = ±0.01mm
 ANGLES = ±5°
 UNLESS STATED

MATERIAL: SEE ABOVE
 FINISH: SEE ABOVE
 S/AREA: mm²

TITLE: JACKSCREW DATAMATE MIXED TECHNOLOGY FEMALE ASSEMBLY

DRAWING NUMBER: **M80-400000FI-XX-XXX-00-000**

SM	3	07.04.11	11222
NAME	ISS.	DATE	C/NOTE
APPROVED: S. MCCULLAGH			
CHECKED: M. G. PLESTED			
DRAWN: R. ADDE			
CUSTOMER REF.:			
ASSEMBLY DRG:			

Customer Information Sheet

DRAWING No.: M80-4000000F1-XX-XXX-00-000

SHEET 5 OF 6

IF IN DOUBT - ASK

©

NOT TO SCALE

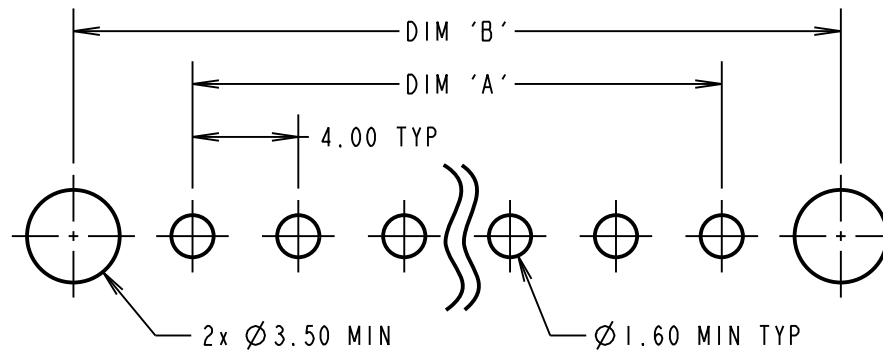
THIRD ANGLE PROJECTION

ALL DIMENSIONS IN mm

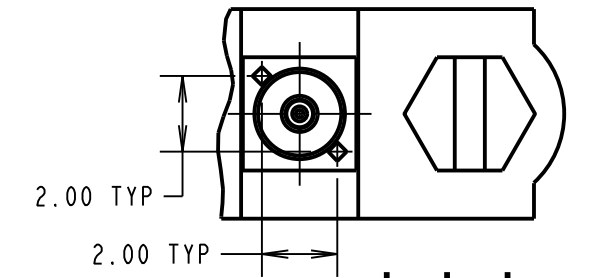
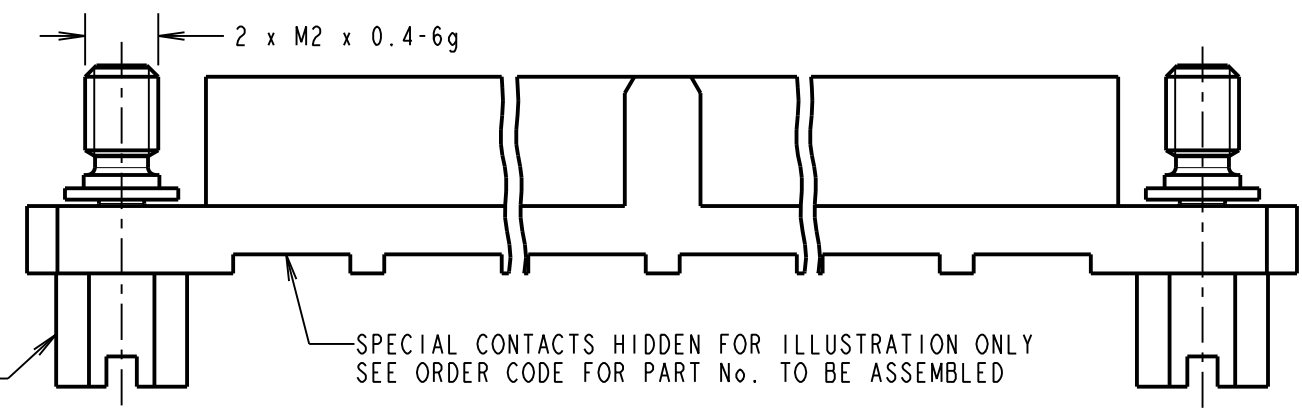
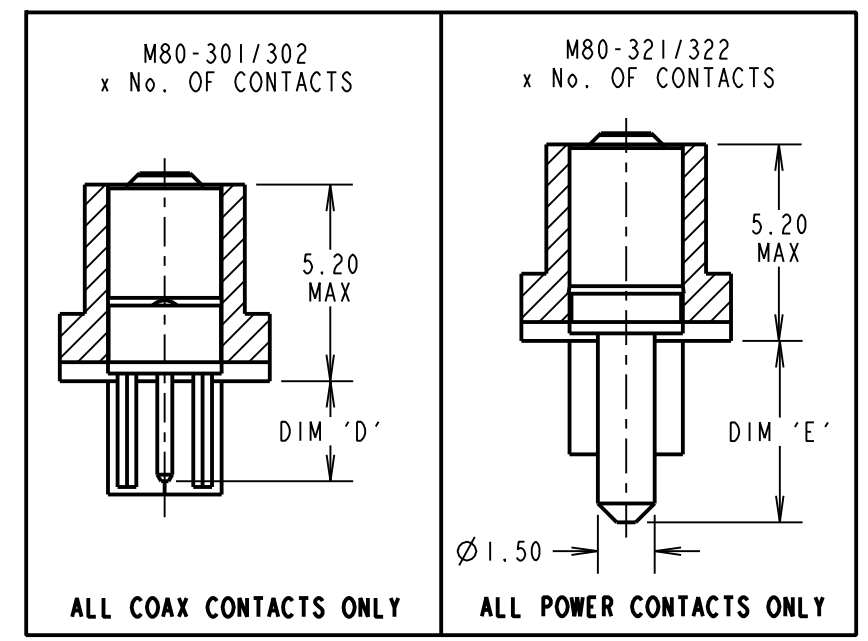
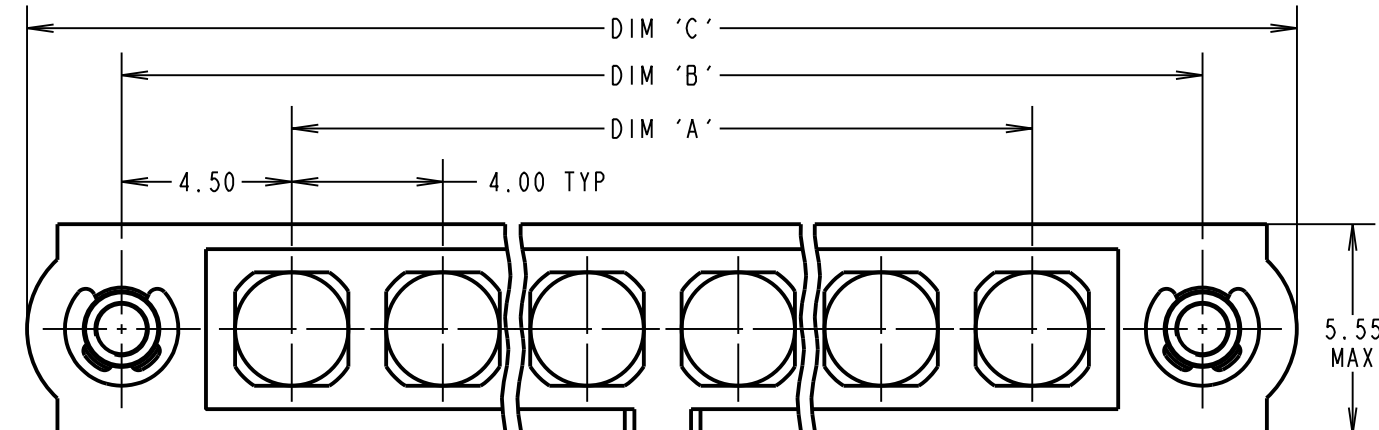
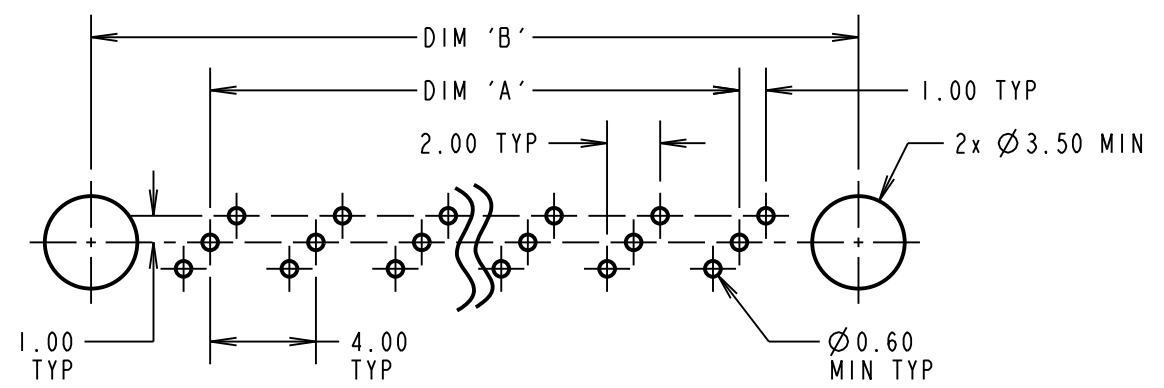
SPECIFICATIONS:

MATERIAL:
 MOULDING: GLASS FILLED PPS, UL94V-0, BLACK
POWER & COAX CONTACT:
 BODY = COPPER ALLOY
 INNER CONTACT = BERYLLIUM COPPER
 INSULATOR = PTFE
 JACKSCREW, CIRCLIP: STAINLESS STEEL
FINISH:
 POWER & COAX CONTACT
 BODY, SLEEVE, INNER CONTACT = GOLD
ELECTRICAL:
 WORKING VOLTAGE = 120V AC/DC
 VOLTAGE PROOF = 360V AC/DC
 INSULATION RESISTANCE = 100MΩ MIN
POWER CONTACT:
 CONTACT RESISTANCE = 6mΩ MAX
 CURRENT RATING = 20A MAX
COAX CONTACT:
 FREQUENCY RANGE = 6GHz
 IMPEDANCE = 50 Ω
 V.S.W.R = 1.05 + (0.04 x FREQUENCY) GHz MAX
 CONTACT RESISTANCE 6 mΩ MAX
 INSULATION RESISTANCE = 10⁶MΩ @250V AC
 OPERATING VOLTAGE = 180V AC @ 500ma
 MAXIMUM VOLTAGE = 1000V AC
MECHANICAL:
 DURABILITY = 500 OPERATIONS
POWER & COAX CONTACT:
 INSERTION FORCE = 5N MAX
 WITHDRAWAL FORCE = 0.5N MIN
ENVIRONMENTAL:
 TEMPERATURE RANGE = -55°C TO +125°C
PACKING:
 TUBE
 FOR COMPLETE SPECIFICATION SEE COMPONENT SPECIFICATION C005XX (LATEST ISSUE)

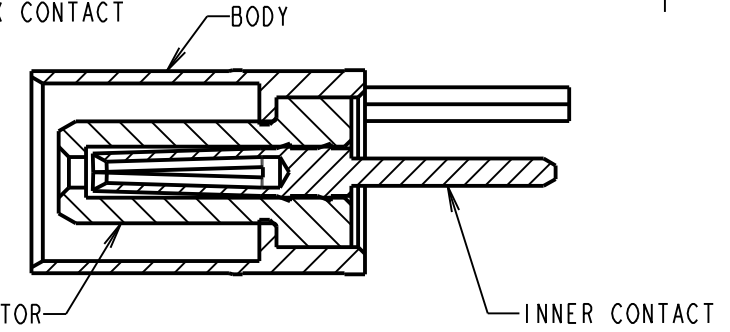
RECOMMENDED PCB LAYOUT FOR ALL POWER CONTACTS ONLY



RECOMMENDED PCB LAYOUT FOR ALL COAX CONTACTS ONLY



CROSS-SECTION OF COAX CONTACT



PC TAIL VERTICAL CONTACTS ONLY

DIMENSION	CALCULATION
DIM 'A'	4 x No. OF CONTACTS - 4.00
DIM 'B'	4 x No. OF CONTACTS + 5.00
DIM 'C'	4 x No. OF CONTACTS + 10.00
DIM 'D'	M80-301 = 3.00mm, M80-302 = 4.50mm
DIM 'E'	M80-321 = 3.50mm, M80-322 = 5.00mm

ORDER CODE: (PC TAIL VERTICAL CONTACTS ONLY)
M80-4000000F1-XX-XXX-00-000
 TOTAL No. OF CONTACTS 02 TO 12
 SPECIAL CONTACTS
 301 = COAX CONTACT PC TAIL 3.0mm M80-301
 302 = COAX CONTACT PC TAIL 4.5mm M80-302
 321 = POWER CONTACT PC TAIL 3.5mm M80-321
 322 = POWER CONTACT PC TAIL 5.0mm M80-322

SM	3	07.04.11	11222
NAME	ISS.	DATE	C/NOTE
APPROVED: S. MCCULLAGH			
CHECKED: M. G. PLESTED			
DRAWN: R. ADDE			
CUSTOMER REF.:			
ASSEMBLY DRG:			

EXAMPLE 1: CONNECTOR WITH 08 COAX CONTACTS,
 M80-4000000F1-08-301-00-000
 DIM 'A' = 28.00mm, DIM 'B' = 37.00mm,
 DIM 'C' = 42.00mm, DIM 'D' = 3.00mm
 EXAMPLE 2: CONNECTOR WITH 10 POWER CONTACTS,
 M80-4000000F1-10-321-00-000
 DIM 'A' = 36.00mm, DIM 'B' = 45.00mm,
 DIM 'C' = 50.00mm, DIM 'E' = 3.50mm

HARWIN			THIS DRAWING AND ANY INFORMATION OR DESCRIPTIVE MATTER SET OUT HEREON ARE CONFIDENTIAL AND COPYRIGHT PROPERTY OF THE HARWIN GROUP AND MUST NOT BE DISCLOSED, LOANED, COPIED OR USED FOR MANUFACTURING, TENDERING OR FOR ANY OTHER PURPOSE WITHOUT THEIR WRITTEN PERMISSION.	TOLERANCES X. = ±1mm X.X = ±0.25mm X.XX = ±0.10mm X.XXX = ±0.01mm ANGLES = ±5° UNLESS STATED	MATERIAL: SEE ABOVE FINISH: SEE ABOVE S/AREA: mm ²	TITLE: JACKSCREW DATAMATE MIXED TECHNOLOGY FEMALE ASSEMBLY	
HARWIN USA TEL: 603 893 5376 FAX: 603 893 5396 mis@harwin.com	HARWIN Europe (UK) TEL: 023 9231 4545 FAX: 023 9231 4590 mis@harwin.co.uk	HARWIN Asia TEL: +65 6 779 4909 FAX: +65 6 779 3868 mis@harwin.com.sg				DRAWING NUMBER: M80-4000000F1-XX-XXX-00-000	SHT 5 OF 6

Customer Information Sheet

DRAWING No.: M80-400000FI-XX-XXX-00-000

SHEET 6 OF 6

IF IN DOUBT - ASK

©

NOT TO SCALE

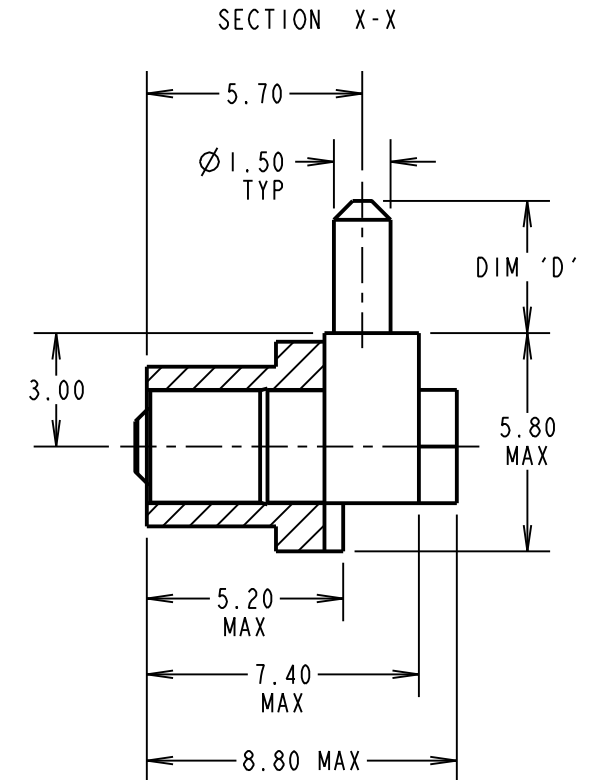
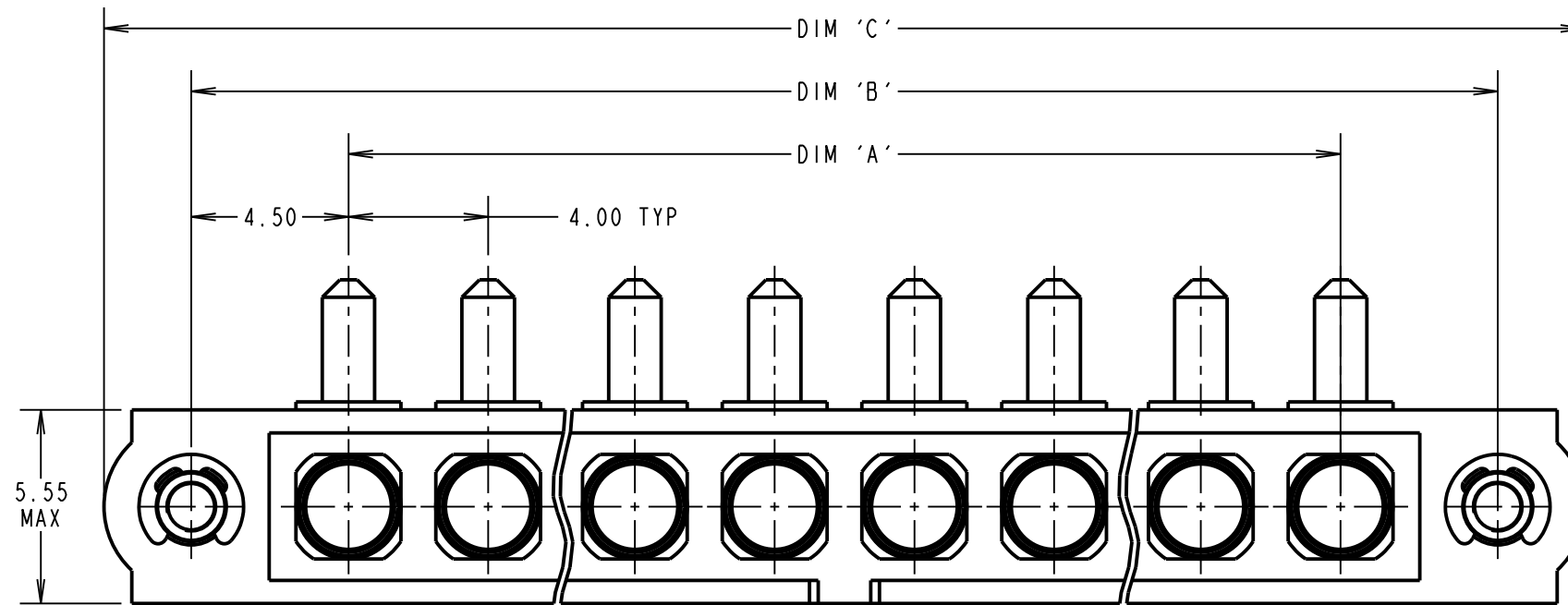
THIRD ANGLE PROJECTION

ALL DIMENSIONS IN mm

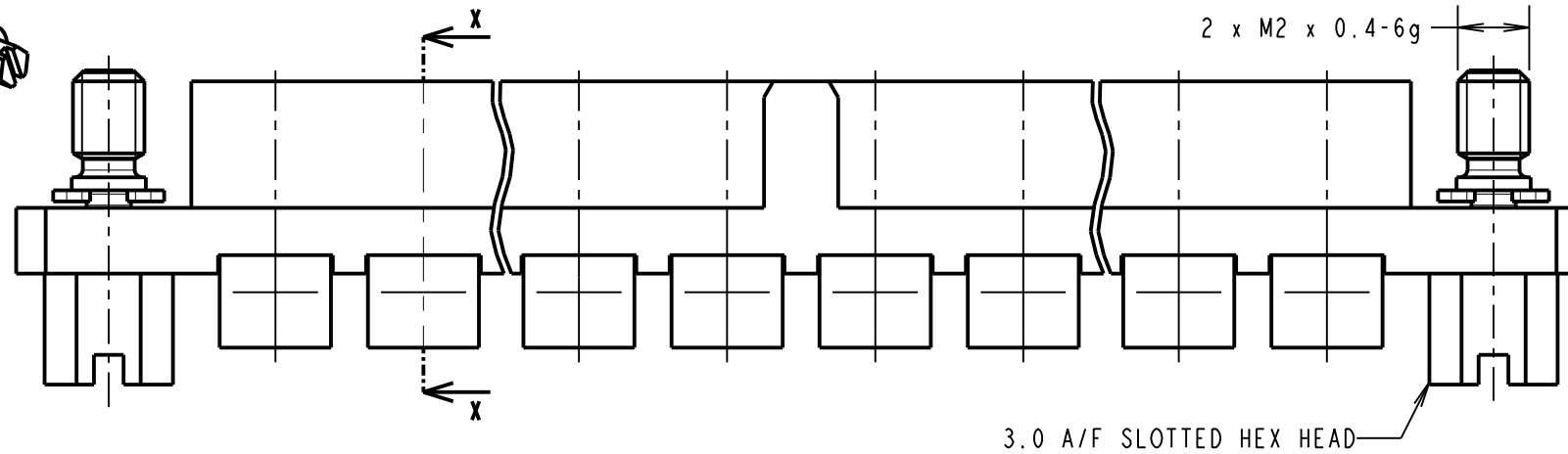
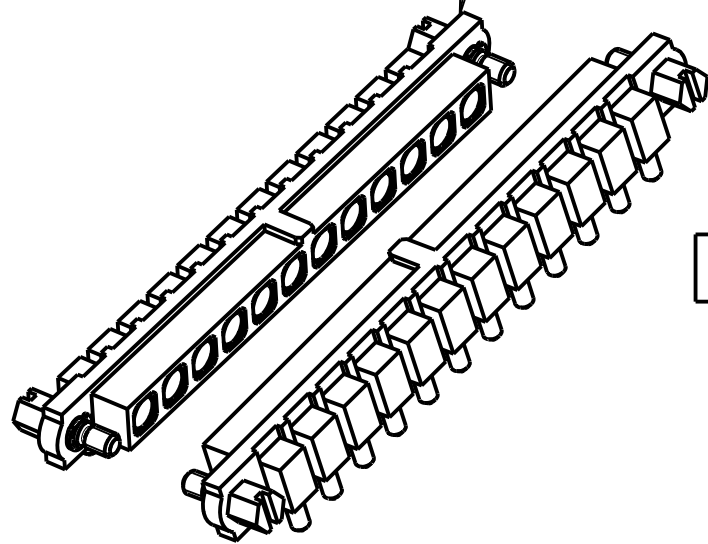
SPECIFICATIONS:

MATERIAL:
 MOULDING: GLASS FILLED PPS, UL94V-0, BLACK
 POWER CONTACT: COPPER ALLOY
 JACKSCREW, CIRCLIP: STAINLESS STEEL
FINISH:
 POWER CONTACT: GOLD
ELECTRICAL:
 WORKING VOLTAGE = 120V AC/DC
 VOLTAGE PROOF = 360V AC/DC
 INSULATION RESISTANCE = 100MΩ MIN
POWER CONTACT:
 CONTACT RESISTANCE = 6 mΩ MAX
 CURRENT RATING = 20A MAX
MECHANICAL:
 DURABILITY = 500 OPERATIONS
POWER CONTACT:
 INSERTION FORCE = 5N MAX
 WITHDRAWAL FORCE = 0.5N MIN
ENVIRONMENTAL:
 TEMPERATURE RANGE = -55°C TO +125°C
PACKING:
 TUBE
 FOR COMPLETE SPECIFICATION SEE COMPONENT SPECIFICATION C005XX (LATEST ISSUE)

PC TAIL HORIZONTAL CONTACTS ONLY



M80-400000FI-12-323-00-00
 SHOWN FOR ILLUSTRATION PURPOSES



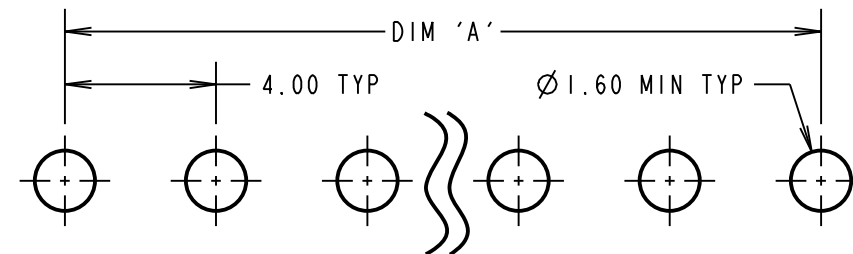
DIMENSION	CALCULATION
DIM 'A'	4 x No. OF CONTACTS - 4.00
DIM 'B'	4 x No. OF CONTACTS + 5.00
DIM 'C'	4 x No. OF CONTACTS + 10.00
DIM 'D'	M80-323 = 3.50mm, M80-324 = 5.00mm

EXAMPLE 1: CONNECTOR WITH 10 POWER CONTACTS 3.5mm,
 M80-400000FI-10-323-00-000
 DIM 'A' = 36.00mm, DIM 'B' = 45.00mm, DIM 'C' = 50.00mm
 DIM 'D' = 3.50mm

EXAMPLE 2: CONNECTOR WITH 10 POWER CONTACTS 5.0mm,
 M80-400000FI-10-324-00-000
 DIM 'A' = 36.00mm, DIM 'B' = 45.00mm, DIM 'C' = 50.00mm
 DIM 'D' = 5.00mm

ORDER CODE:
 (PC TAIL HORIZONTAL CONTACTS ONLY)
M80-400000FI-XX-XXX-00-000
 TOTAL No. OF CONTACTS _____
 02 TO 12
 FEMALE HORIZONTAL POWER CONTACTS _____
 323 = POWER CONTACT PC TAIL 3.5mm M80-323
 324 = POWER CONTACT PC TAIL 5.0mm M80-324

RECOMMENDED PCB LAYOUT



SM	3	07.04.11	11222
NAME	ISS.	DATE	C/NOTE
APPROVED: S. MCCULLAGH			
CHECKED: M. G. PLESTED			
DRAWN: C. PENROSE			
CUSTOMER REF.:			
ASSEMBLY DRG:			

HARWIN

HARWIN USA
 TEL: 603 893 5376
 FAX: 603 893 5396
 mis@harwin.com

HARWIN Europe (UK)
 TEL: 023 9231 4545
 FAX: 023 9231 4590
 mis@harwin.co.uk

HARWIN Asia
 TEL: +65 6 779 4909
 FAX: +65 6 779 3868
 mis@harwin.com.sg

THIS DRAWING AND ANY INFORMATION OR DESCRIPTIVE MATTER SET OUT HEREON ARE CONFIDENTIAL AND COPYRIGHT PROPERTY OF THE HARWIN GROUP AND MUST NOT BE DISCLOSED, LOANED, COPIED OR USED FOR MANUFACTURING, TENDERING OR FOR ANY OTHER PURPOSE WITHOUT THEIR WRITTEN PERMISSION.

TOLERANCES
 X. = ±1mm
 X.X = ±0.25mm
 X.XX = ±0.10mm
 X.XXX = ±0.01mm
 ANGLES = ±5°
 UNLESS STATED

MATERIAL:
 SEE ABOVE
 FINISH: SEE ABOVE
 S/AREA: mm²

TITLE: JACKSCREW DATAMATE MIXED TECHNOLOGY FEMALE ASSEMBLY

DRAWING NUMBER:
M80-400000FI-XX-XXX-00-000

SHT
 6 OF 6